

PRECISION DUAL FREQUENCY ECHOSOUNDER ECHOLOGGER ECS D24/ECT D24



ECS D24



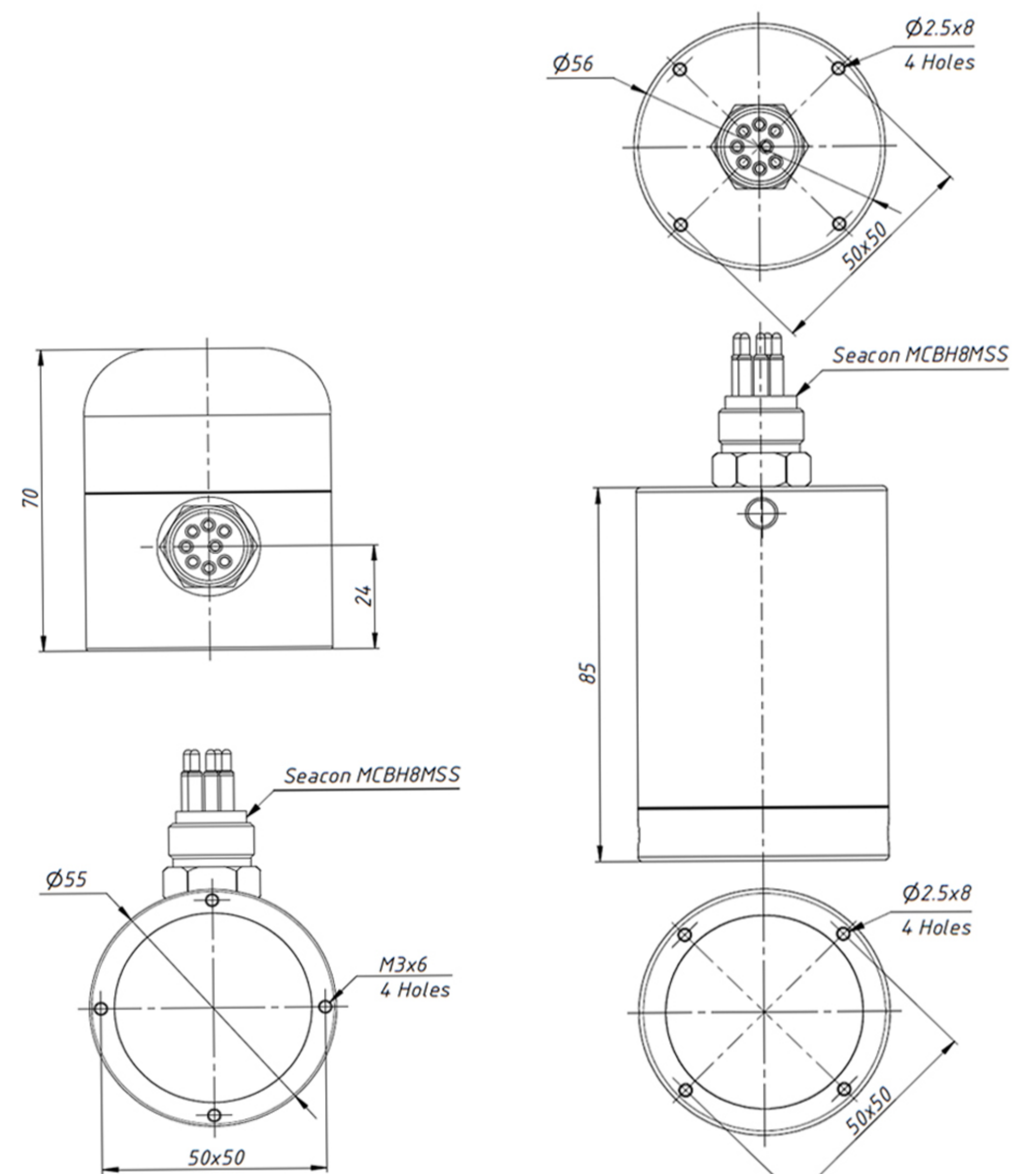
ECT D24

FEATURES

- Real-time backscatter data collection along full water columns
- Ultra compact (50mm dia. x 70mm length)
- Ideal for navigation of ROV/AUVs
- Serial interface (RS232, 485)
- Multi-node interface supported with RS485
- Tilt sensor integrated as standard
- User friendly GUI software provided for instant image update
- Compatible with Hypack, Topcon receiver, HydroPro(Trimble)
- Seacon underwater wet connector installed
- Depth rate (standard 100m, up to 6,000m available on request)

APPLICATIONS

- Altitude Measurement for Navigation
- Sediment Move Monitoring
- Bridge Scour Monitoring
- Harbor Security
- Wave/Tide Monitoring

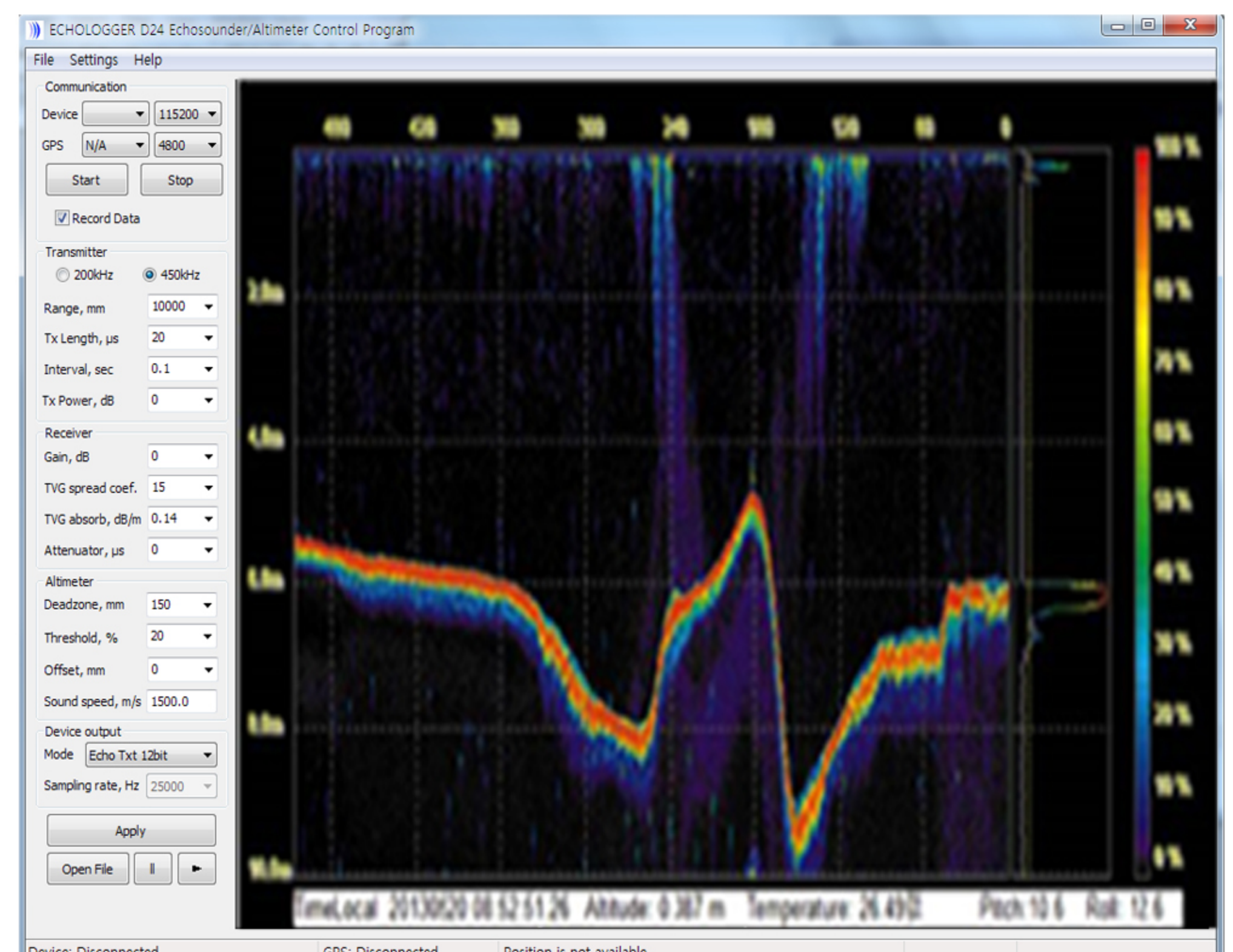


ECS D24

ECT D24



EGT D24



SPECIFICATION

Acoustic Frequency	200 kHz / 450 kHz
Beam width	10° / 5° Conical (-3dB)
Transmit Pulse Width	10µsec ~ 200µsec
Transmit Power	Max. 50 W (adjustable)
TVG Control	Up to 60 dB
Gain Control	-30 dB to +30 dB
Input Signal Attenuator (-20dB)	Activation time 0~300,000 µSec
Ranges	0.15 m ~ 200 m (200kHz), 0.15 m ~ 100 m (450kHz)
Repetition (Ping) Rate	100 Hz max
Sampling Rate (Profiling mode)	Max 100kHz; adjustable, or auto mode (default)
Water Column Resolution	Appx. 7.5 mm @100kHz sampling
Altimeter Range Resolution	1.0 mm
Temperature sensor Resolution	0.1° C
Tilt sensor integrated	Dual-axis (Roll & Pitch) ± 90° , Inclination data resolution 0.1°
Synchronization	Outward / Inward (S/W selectable) - ECT D24U & ECS D24U
Analog Output Interface	1.25V, 2.5V, 5V, 10V max (S/W selectable) , Distance or Envelope
Digital Output Interface	ECS D24U,ECT D24U: USB 2.0 , ECS D24S,ECT D24S: RS-232, RS-485 (selectable by select pin)
Communication Speed	4800 ~ 921600, 3M baud (115200 baud default)
Data Output Format Profile	Profile 10bit/12bit resolution ASCII Text Profile 12bit resolution Binary Profile 8bit resolution Binary (12bit compressed to 8bit) Altitude NMEA0183 / Altitude Simple
Multi node Internetworking(RS485 only)	ECS D24S,ECT D24S: Up to 32 units
Configuration and Data reading	Echologger Control Program or any Terminal program
Connector	ECS D24U: SEACON MCBH8MSS pigtail, ECT D24S: SEACON MCBH8MSS ECS D24S: SEACON MCBH8MSS, ECT D24U: SEACON MCBH8MSS, EGT D24: Cable Gland
Operation Temperature	-10° C +50° C
Operating Depth	ECS D24U: Standard 1m, 100m, (up to 6000m) , ECT D24U: 1m, 100m, 1000m, 6000m ECS D24S: Standard 1m, 100m, (up to 6000m) , ECT D24S: 1m, 100m, 1000m, 6000m
Housing	ECS D24U: Aluminium (100m, 1000m), ECT D24U: Acetal (100m), Aluminium (1000m) ECS D24S: Aluminum (100m, 1000m, 6000m), ECT D24S: Acetal (100m), Aluminum (1000m, 6000m) EGT D24: Acetal (1m) IP68
Dimensions (100m rate)	ECS D24U: D55 mm x L70 mm (without connector), ECT D24U: D56 mm x L85 mm (without connector) ECS D24S: D55 mm x L70 mm (without connector), ECT D24S: D56 mm x L85 mm (without connector) EGT D24: D56 mm x L80 mm (without cable gland)
Weight (100m rate)	ECS D24U: 320g (100m, 1000m versions), ECT D24U: 280g (100m version) ECS D24S: 320g (100m, 1000m versions), ECT D24S: 280g (100m version) EGT D24: 240g (without cable)